

Plastic Filters

Durable high quality Plastic Filters for wide range of filtration applications



flow rates

**up to 50 m³/h
220 gpm**

filtration degrees

3500-50 micron

diameters

**20-80 mm
¾" - 3"**

max. operating pressure

**10 bar
150 psi**

features:

- Interchangeable filter elements for a wide range of flow rates, with multiple filtration degrees
- Excellent mechanical strength, corrosion resistant for chemical compatibility
- Low pressure loss
- Easy to install and maintain, no tools required for rinsing
- Available with exclusive features for semi-automatic cleaning
- Suitable for a wide range of applications for the irrigation, municipal and industrial markets

3" LEADER

MANUAL DISC FILTER



MANUAL FILTERS

FEATURES

- Durable filter element
- Corrosion free
- All Polypropylene
- Precise disc filtration

TECHNICAL DATA

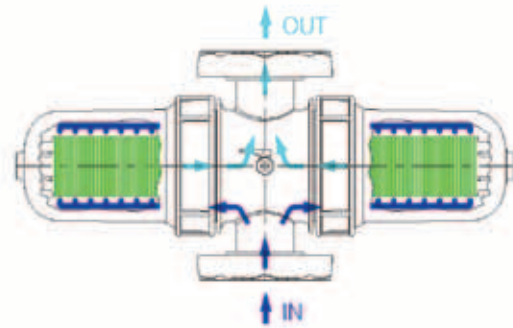
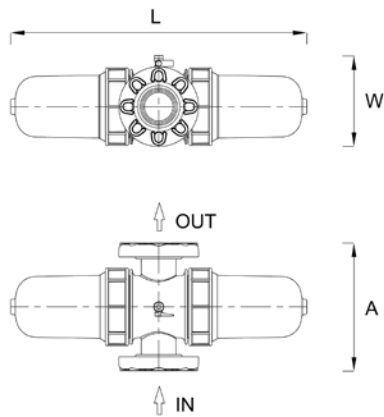
	METRIC		US	
Connection diameter	mm	90	in	3
Filtration surface area	cm ²	1,900	in ²	294
Filtration volume	cm ³	2,450	in ³	150
Pressure rating	bar	10	psi	145
Max. temp.	°C	70	°F	158

MAXIMUM FILTRATION FLOW RATE / WATER QUALITY

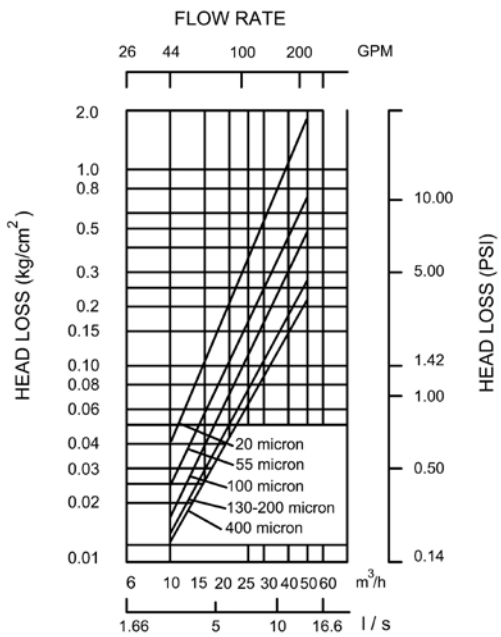
FILTRATION GRADE	WATER QUALITY	M ³ /H	GPM
400-130 μ	Good	50	220
	Average	35	154
55 μ	Good	32	141
	Average	22	97
20 μ	Good	16	70
	Average	11	48.4

DIMENSIONS AND WEIGHTS

D Inlet\Outlet diameter	mm	90	inch	3
L Length	mm	742	inch	29 7/32
W Width	mm	228	inch	8 3/32
A	mm	320	inch	12 19/32
Shipping weight (approx.)	kg	6.3	lbs	13.9



HEAD LOSS CHART, CLEAN STATE



3" Leader Filter is available in:
Polypropylene.