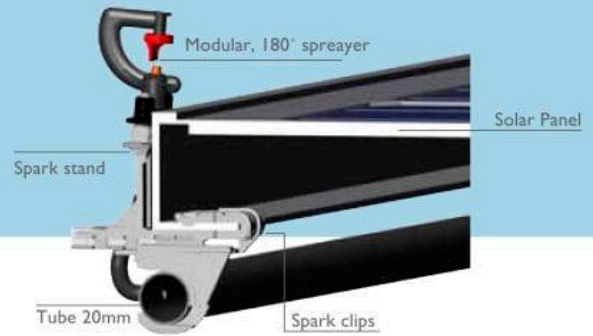


# SPARK SOLAR PANEL CLEANING

A unique system for cleaning and washing solar panels. Prevents scale, ensures optimal efficiency and energy production.

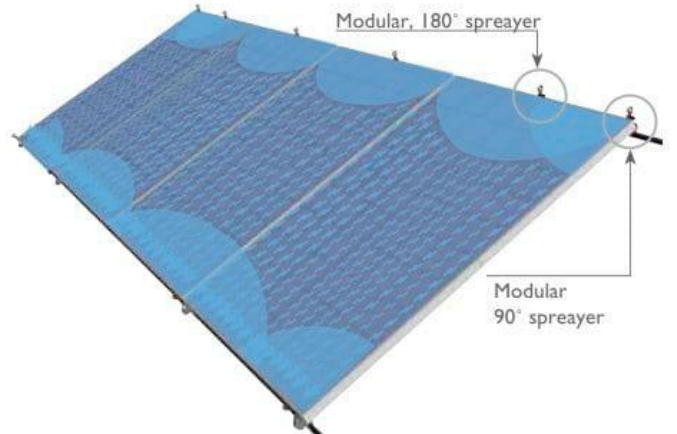


**Applications:**

Solar panel washing, scale prevention, Increasing solar efficiency

**Structure and features:**

- Two kinds of water distribution for best coverage of the area.
- Non-rotating parts for long life span even in heavy conditions, such as high temperatures, wind and dust.
- Unique stand fits most panels in the market.
- The stand maintains steady, well-aligned micro washers on the panels for optimal cleaning.
- The stand ensures zero vibration of the Solar Panel Cleaning Unit.
- Optimal water coverage of the panel.
- All components are modular and easy to assemble without a need for special tools.
- Easy, user-friendly assembling and dismantling of the stand on the panel.



© NAANDANJAIN Ltd. 02/2018