

RAF-P 31



Electric Control Valve (N.C)
3-W Plastic Solenoid
Pressure rating PN-10
Nominal Diameter 1 1/2"-4"

The RAF-P 31 electric valve is a Normally Closed (N.C) line pressure hydraulically actuated. The 3-W solenoid valve changes positions: The RAF-P 31 valve opens when 3-W plastic solenoid valve is energized. The RAF-P 31 shuts off when 3-W plastic solenoid valve is de-energized. The 3-W electric solenoid valve configuration together with Raphael's patented diaphragm enables smooth opening and surge free shutoff.

TYPICAL APPLICATIONS

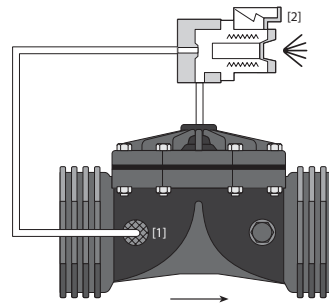
Use RAF-P 31 for remote operation of hydraulic valve by an electric command.
Use RAF-P 31 for water distribution and field control.

FEATURES

- Basic RAF-P valve
- Self-cleaning screen filter
- 3-W (N.O) plastic solenoid
- Polyethylene plastic tubing
- Voltage - 24V (AC) 50/60 Hz

OPTIONAL FEATURES

- Voltage - 110V, 220V (AC) & 9V, 12V, 24V (DC)



Part List

1. Self-cleaning screen filter
2. 3-W (N.O) plastic solenoid

RECOMMENDED FLOW

Nominal Diameter		Max Flow Rate	
inch	mm	m ³ /h	gpm
1 1/2"	40	25	110
2"	50	25	110
2"S	50S	45	198
2 1/2"	65	45	198
3"	80	45	198
3"S	80S	120	528
4"	100	120	528

For full dimensions please refer to engineering bulletin.

